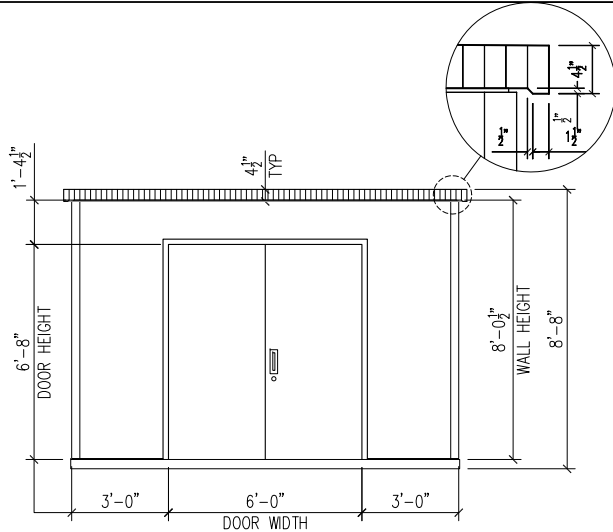
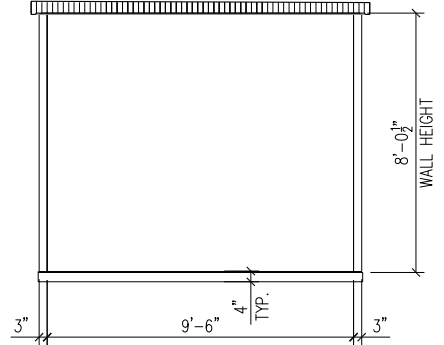


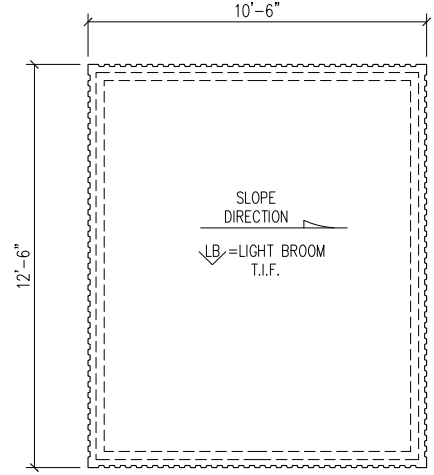
FLOOR PLAN



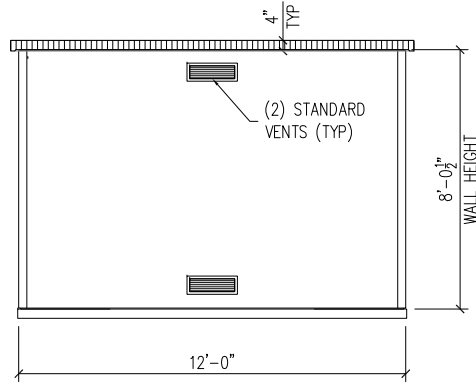
FRONT ELEVATION



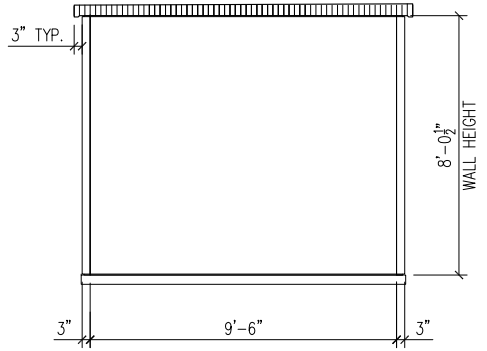
RIGHT ELEVATION



ROOF PLAN



REAR ELEVATION



LEFT ELEVATION

NOTE: FINISH OPTIONAL, VARIOUS FINISHES ARE AVAILABLE

- EASI-BRICK
- EXPOSED AGGREGATE
- BROOM
- OTHER: _____

- GENERAL NOTES:
1. ALL REQUIRED OPENINGS FOR ELECTRIC, MECHANICAL, LOUVERS, ETC. MUST BE SIZED AND LOCATED BY BUYER ON THIS DRAWING (OPENING SIZES AND LOCATIONS MAY HAVE TO BE ALTERED IF THEY INTERFERE WITH CONNECTIONS OR REINFORCING)
 2. ALL VIEWS ARE FROM EXTERIOR
 3. A SIGNED COPY MUST BE RETURNED BEFORE BUILDING CAN BE RELEASED FOR PRODUCTION

MESSAGE CENTER	
BUILDING FINISH	TO BE SELECTED
BUILDING STAIN	-
DOOR COLOR	-
BUILDING WEIGHT	-
CUSTOMER APPROVAL	
APPROVED BY:	DATE:

EASI EASI-SET® WORLDWIDE
SET
 5119 Carlett Rd. • Midland, VA 22728 • info@EasiSet.com
 WWW.EasiSet.com • 800-547-4045 • Fax 540-439-2541

DATE	DESCRIPTION	INITIALS	REV
-	-	-	1
-	-	-	2
-	-	-	3
-	-	-	4
-	-	-	5

PROJECT: 10'x12'x8' STD EASI-SET BUILDING
 ADDRESS _____
 CITY STATE _____
 CONTRACTOR: CONTRACTOR

BUILDING LAYOUT

SCALE

DRAWN BY
WCB

CHECK BY
ESW

ISSUE DATE
03.28.14

SHEET LAYOUT