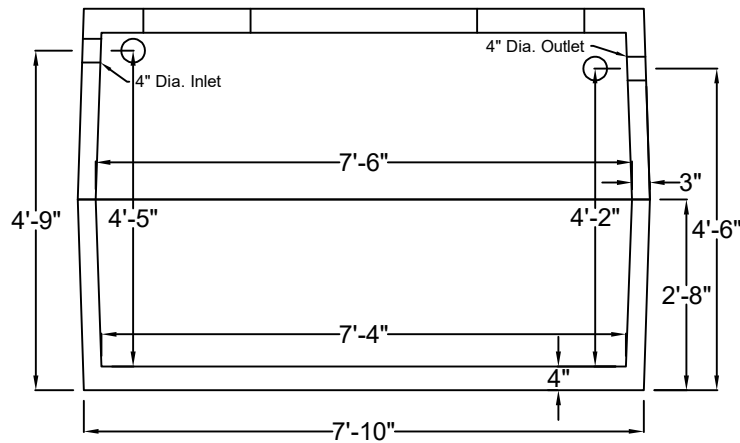
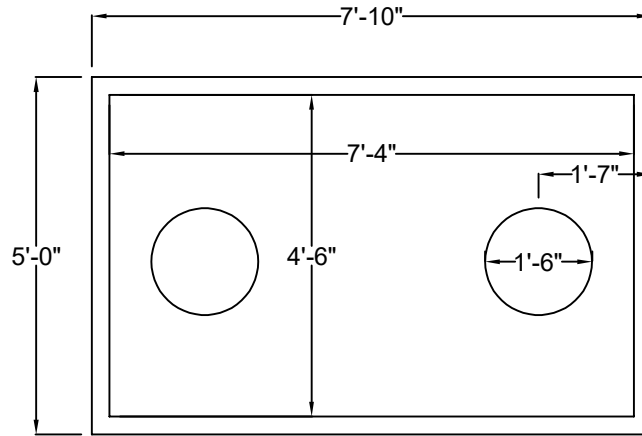
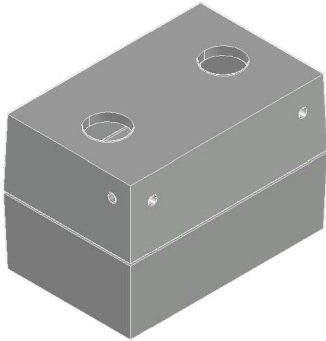




# Precast Concrete 1000 gal. Septic Tank



Weight: 8,200 lbs  
Heaviest Lift: 4,100 lbs



## Standard Features

- 4500 PSI Concrete @ 28 Days
- Helix Steel Fiber
- Manufactured in NPCA Certified Plant

## Standard Options

- Cast Iron Frame and Cover
- 1",2",3" Precast Adjustment Rings
- Pipe Inlet/Outlet Holes Where Specified
- 4" Dia. Booted Pipe Connection



T: 269-342-0539  
F: 269-344-4810  
qualityprecastinc.com

7800 ADOBE RD.  
KALAMAZOO, MI