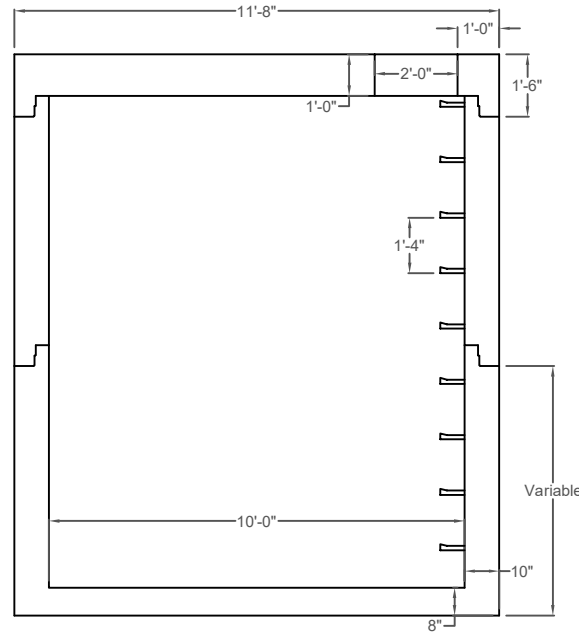
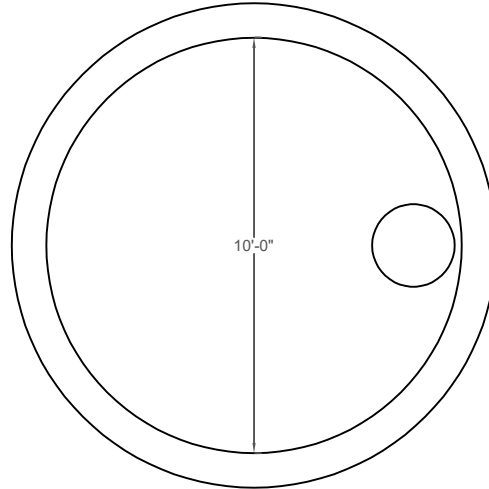
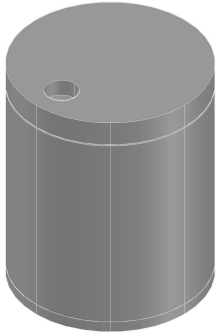




Precast Concrete 120" Dia. Storm Manhole



Standard Features

- 4500 PSI Concrete @ 28 Days
- Conforms to ASTM C-478
- Design for H2O Traffic Loading
- Manufactured in NPCA Certified Plant

Standard Options

- Gasket Joint
- Cast Iron Frame and Cover
- 1", 2", 3" Precast Adjustment Rings
- Pipe Inlet/Outlet Holes Where Specified
- Booted Pipe Connection



T: 269-342-0539
 F: 269-344-4810
 qualityprecastinc.com

7800 ADOBE RD.
 KALAMAZOO, MI