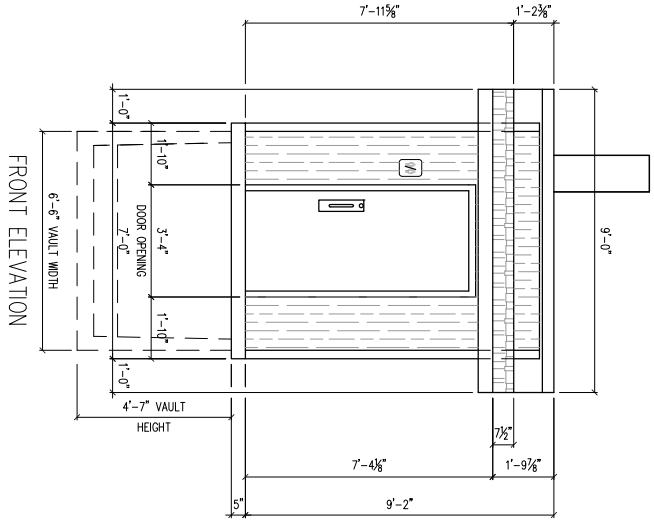
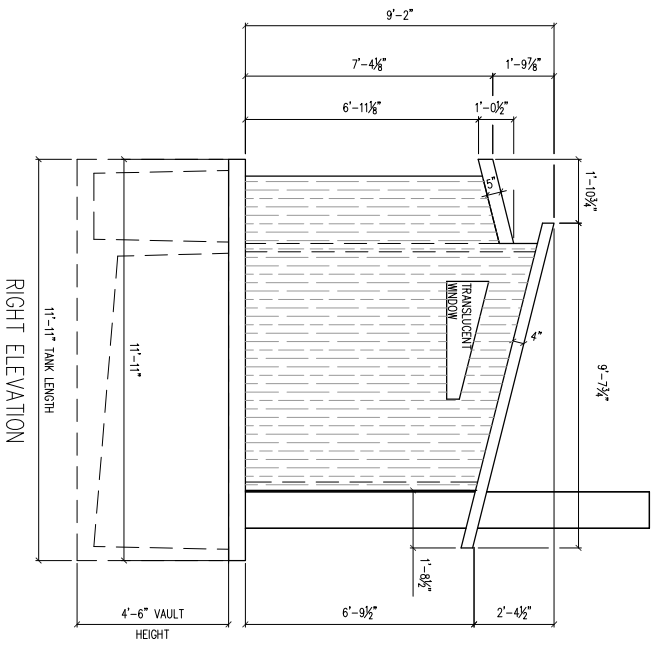


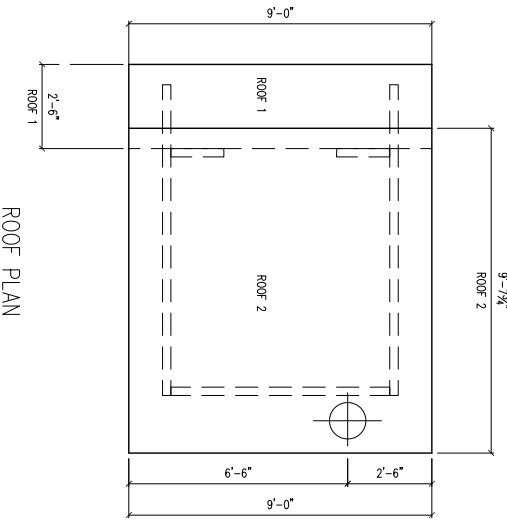
FLOOR PLAN



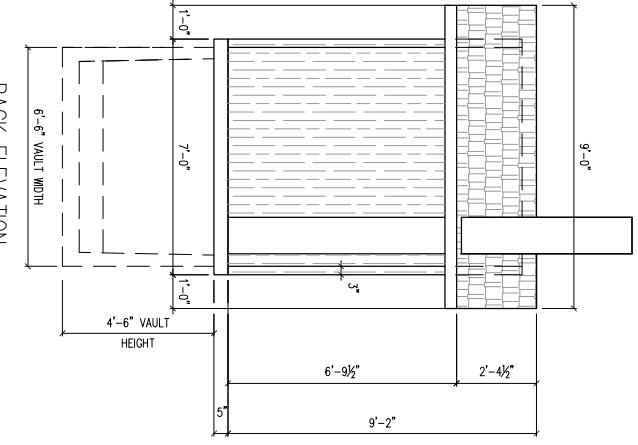
FRONT ELEVATION



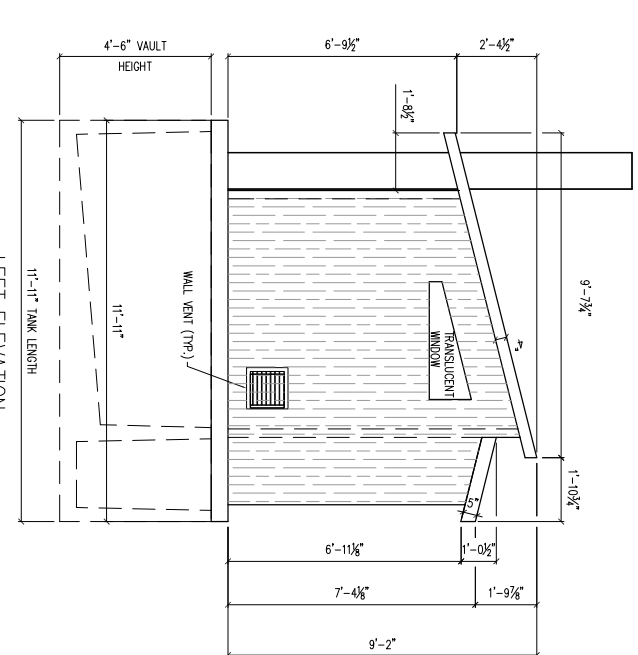
RIGHT ELEVATION



ROOF PLAN



BACK ELEVATION



LEFT ELEVATION

NOTE: FINISH OPTIONAL, VARIOUS FINISHES ARE AVAILABLE

- EASI-BRICK
- BARBOARD
- BROOM
- OTHER: _____

- GENERAL NOTES:
- ALL REQUIRED OPENINGS FOR ELECTRIC, MECHANICAL, LOUVERS, ETC. MUST BE SIZED AND LOCATED BY BUYER ON THIS DRAWING. (OPENING SIZES AND LOCATIONS MAY HAVE TO BE ALTERED IF THEY INTERFERE WITH CONNECTIONS OR REINFORCING)
 - ALL DIMENSIONS ARE FROM EXTERIOR UNLESS OTHERWISE NOTED.
 - ALL SIGNED WORK IS RETURNED BEFORE BUILDING CAN BE RELEASED FOR PRODUCTION.

MESSAGE CENTER

BUILDING STAIN: _____

DOOR COLOR: _____

CUSTOMER APPROVAL: _____

APPROVED BY: _____ DATE: _____

PROJECT: 7'-0" x 11'-11" x 9'-7" EASI-SET
 BLUE RIDGE VAULT RESTROOM
 CITY STATE
 CONTRACTOR: CONTRACTOR

DATE	DESCRIPTION	INI.	REV
			1.
			2.
			3.
			4.
			5.

EASI-SET® WORLDWIDE

5119 Catlett Rd. • Midland, VA 22728 • info@EasiSet.com

www.EasiSet.com • 800-547-4045 • Fax 540-439-2541

JOB # _____

DRAWN BY _____

CHECKED BY _____

ISSUE DATE 08/04/14

SHEET LAYOUT