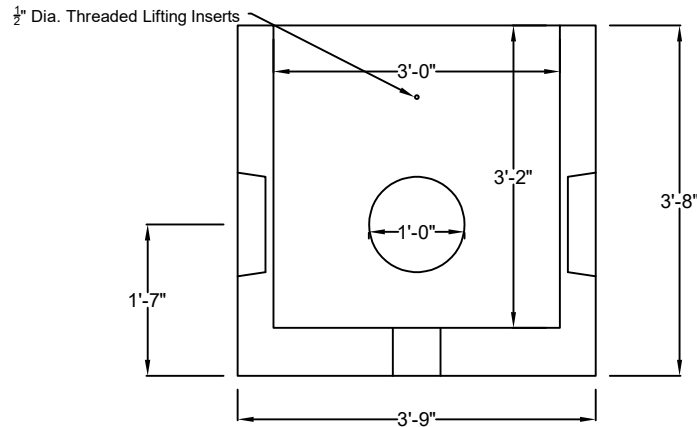
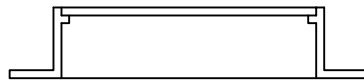


12" Dia. Knockouts



Weight: 2,600 lbs



Standard Features

- 4500 PSI Concrete @ 28 Days
- Design for H-20 Traffic Loading
- Thin wall Knockouts
- 6" Dia. Sump
- 1/2" Threaded Inserts
- Manufactured in NPCA Certified Plant

Standard Options

- Cast Iron Frame and Cover
- Cover Lettering Options Available
- 6" & 12" Precast Adjustment Rings



T: 269-342-0539
 F: 269-344-4810
qualityprecastinc.com

7800 ADOBE RD.
 KALAMAZOO, MI