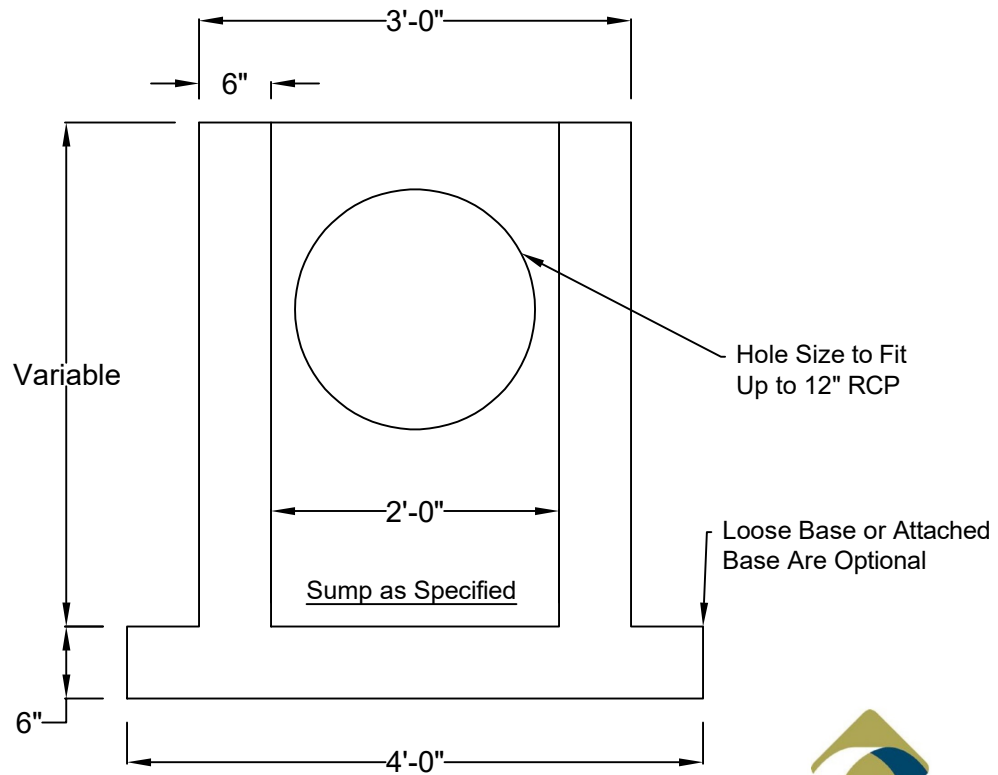
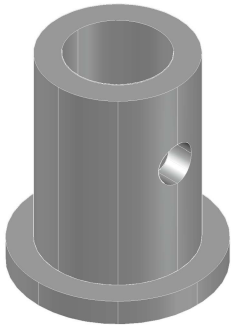




# Precast Concrete 24" Dia. Catch Basin - 6" Wall



## Standard Features

- 4500 PSI Concrete @ 28 Days
- Conforms to ASTM C-478
- Design for H-20 loading
- Manufactured in NPCA Certified Plant

## Standard Options

- Cast Iron Frame and Cover
- 1",2",3" Precast Adjustment Rings
- Pipe Inlet/Outlet Holes Where Specified
- Booted Pipe Connections



T: 269-342-0539  
 F: 269-344-4810  
 qualityprecastinc.com

7800 ADOBE RD.  
 KALAMAZOO, MI