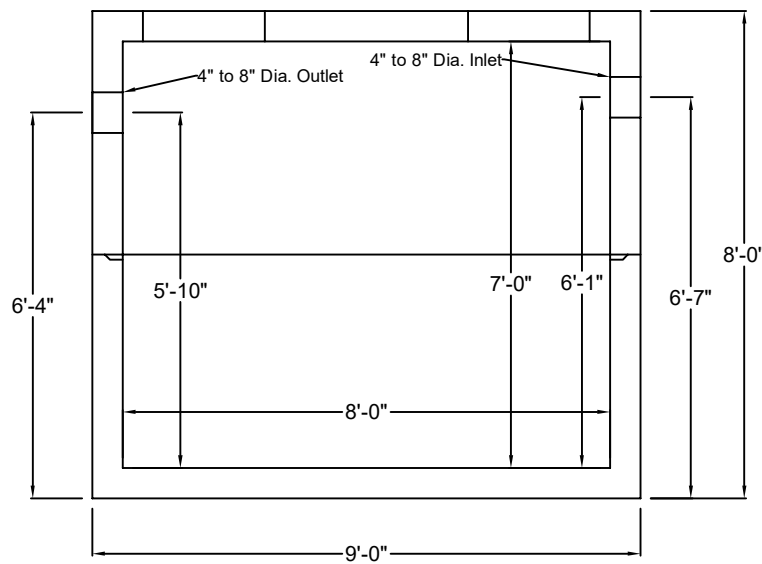
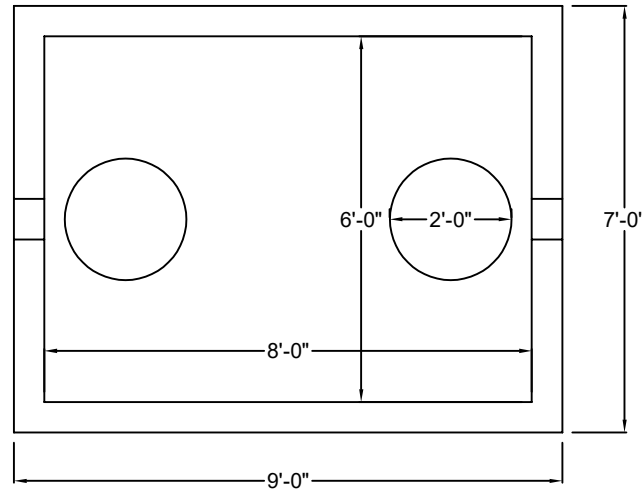
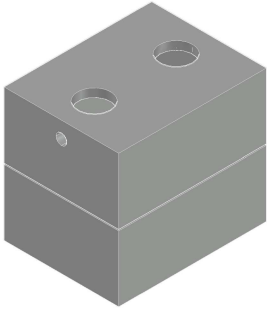




# Precast Concrete 2000 gal. Grease Trap H-20 Rated



Weight: 24,300 lbs  
Heaviest Lift: 12,150 lbs



## Standard Features

- 4500 PSI Concrete @ 28 Days
- Design for H-20 Traffic Loading
- Manufactured in NPCA Certified Plant

## Standard Options

- Cast Iron Frame and Cover
- 1", 2", 3" Precast Adjustment Rings
- Pipe Inlet/Outlet Holes Where Specified
- 4" to 8" Dia. Booted Pipe Connection



T: 269-342-0539  
F: 269-344-4810  
qualityprecastinc.com

7800 ADOBE RD.  
KALAMAZOO, MI