

**SPECIFICATION SUMMARY - LPB**

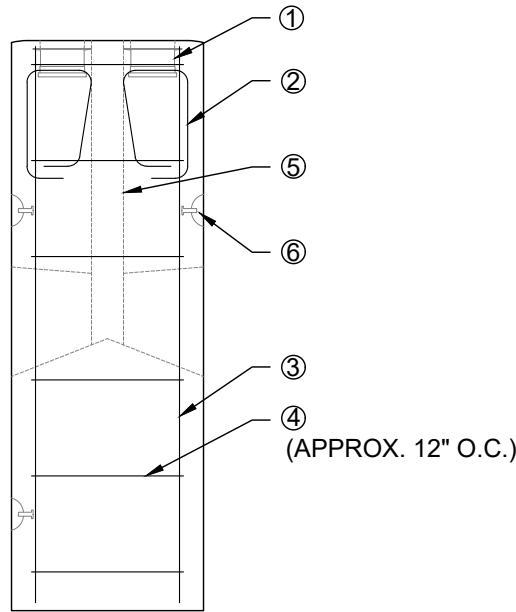
- CONCRETE: MINIMUM 5,000 PSI AT 28 DAYS / AIR ENTRAINED
- LENGTH: 4' TO 8' (IN 1' INCREMENTS)
- DIAMETER: 24"
- ANCHORING SYSTEM: 7 ½" TO 13 ½" BOLT CIRCLE DIAMETERS
- SIDE OPENINGS FOR CONDUIT INSTALLATION: 4

**BILL OF MATERIALS SUMMARY - PRODUCTION**

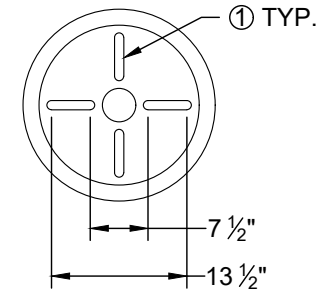
- ① (4) INSERTS WITH ANCHORING NUT
- ② (8) U-BARS CONNECTED TO INSERTS - ASTM A615 GRADE 60
- ③ (4) #6 REBAR - ASTM A615 GRADE 60
- ④ (\*) #3 REBAR HOOPS (18" Ø) - ASTM A615 GRADE 60 (\* QUANTITY BASED UPON TOTAL HEIGHT)
- ⑤ 4" Ø PVC PIPE - ASTM D2729 (LENGTH BASED UPON TOTAL HEIGHT)
- ⑥ (4) UTILITY LIFTING ANCHOR



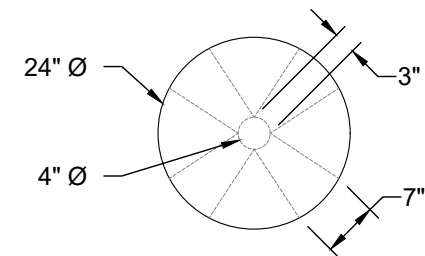
**LPB**  
**ISOMETRIC VIEW**



**LPB**  
**PRODUCTION LAYOUT**



**LPB**  
**ANCHORING SYSTEM**



**LPB**  
**SIDE OPENINGS AND CENTRAL PATHWAY**

© Copyright 2019 ReCon Wall Systems, Inc. All Rights Reserved

Disclaimer: This drawing has been prepared by ReCon Wall Systems, Inc. and to the best of its knowledge, accurately represents the product use in the application that it is illustrated. This drawing is intended for conceptual purposes only. Anyone making use of this drawing does so at their own risk and assumes all liability for such use. Final design for construction purposes must be completed by a Registered Professional Engineer who is familiar with the product and who has taken into account specific site conditions.



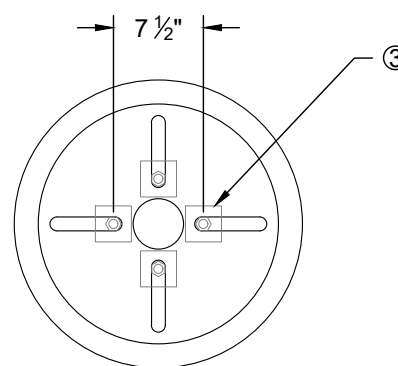
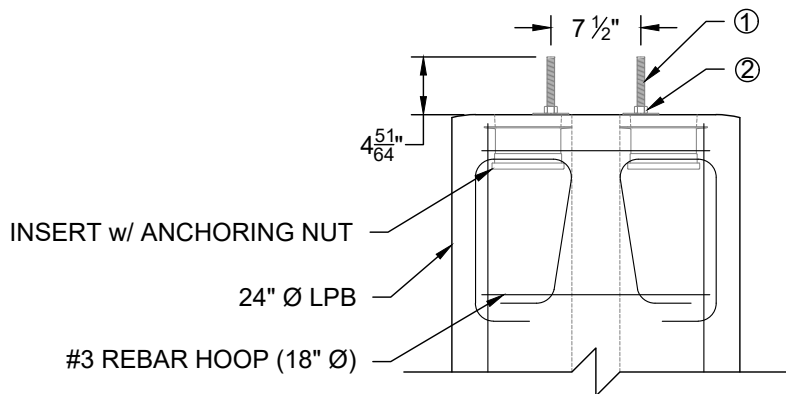
**DRAWING #5001**

**LPB**  
**TYPICAL LAYOUT**

RECON WALL SYSTEMS, INC.  
7600 W. 27th STREET, #229  
ST. LOUIS PARK, MN 55426  
952-922-0027  
www.lightpolebase.com

**BILL OF MATERIALS SUMMARY - LPB INSTALLATION HARDWARE**

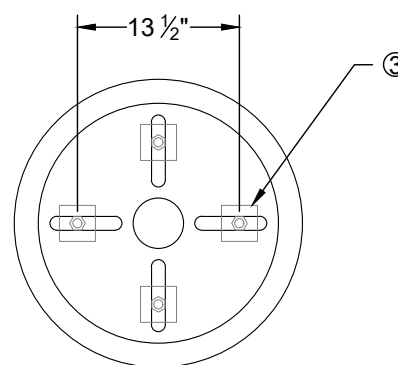
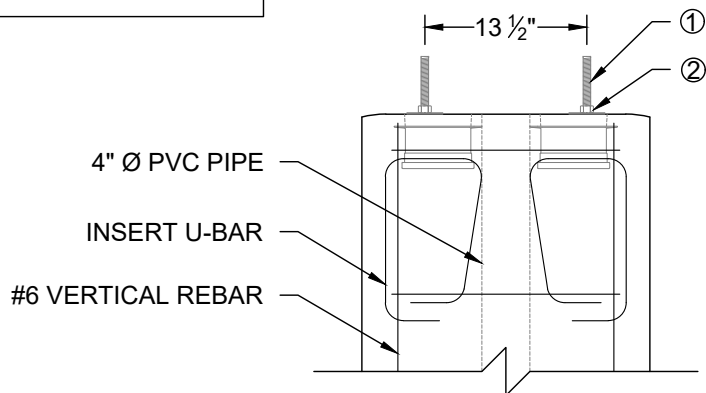
- ① (4) 3/4" Ø x 9" LONG HDG THREADED RODS - ASTM F1554 GRADE 55
- ② (4) 3/4" HEAVY HEX HDG NUT - ASTM A563 GRADE DH
- ③ (4) 3" x 3" x 5/16" THICK HDG BEARING PLATE - ASTM A36



**LPB ANCHORING SYSTEM**

**7 1/2" BOLT CIRCLE DIAMETER**

**NOTE:**  
ALL NOTES APPLY EQUALLY EXCEPT FOR BOLT CIRCLE DIAMETER



**LPB ANCHORING SYSTEM**

**13 1/2" BOLT CIRCLE DIAMETER**

© Copyright 2019 ReCon Wall Systems, Inc. All Rights Reserved

Disclaimer: This drawing has been prepared by ReCon Wall Systems, Inc. and to the best of its knowledge, accurately represents the product use in the application that it is illustrated. This drawing is intended for conceptual purposes only. Anyone making use of this drawing does so at their own risk and assumes all liability for such use. Final design for construction purposes must be completed by a Registered Professional Engineer who is familiar with the product and who has taken into account specific site conditions.



**DRAWING #5002**

**LPB ANCHORING SYSTEM**

RECON WALL SYSTEMS, INC.  
7600 W. 27th STREET, #229  
ST. LOUIS PARK, MN 55426  
952-922-0027  
www.lightpolebase.com