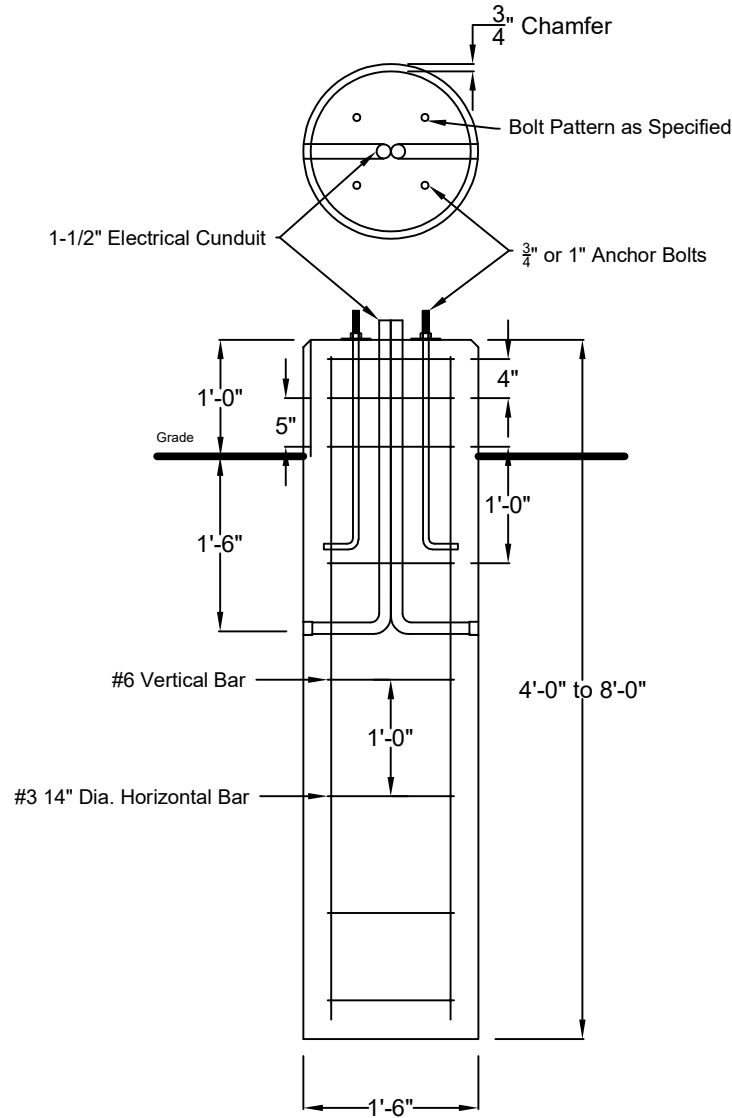




Precast Concrete 18" Dia. Light Pole Base



Weight:

- 4' - 1,100 lbs
- 5' - 1,375 lbs
- 6' - 1,650 lbs
- 7' - 1,925 lbs
- 8' - 2,200 lbs



Standard Features

- 4500 PSI Concrete @ 28 Days
- ASTM A615 Grade 60 Rebar
- Manufactured in NPCA Certified Plant

Standard Options

- 1/2" Dia. to 3" Dia. Electrical Conduit
- Galvanized Anchor Bolts Provided by Contractor



T: 269-342-0539
 F: 269-344-4810
 qualityprecastinc.com

7800 ADOBE RD.
 KALAMAZOO, MI