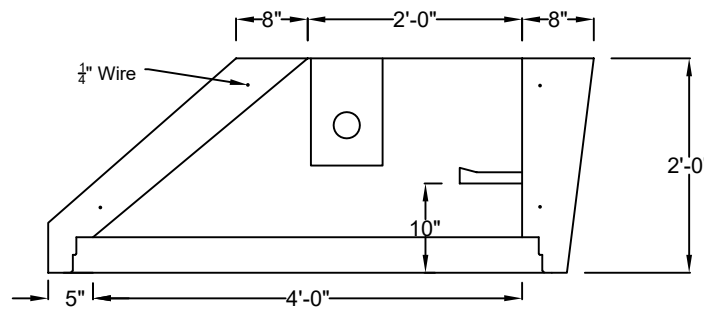
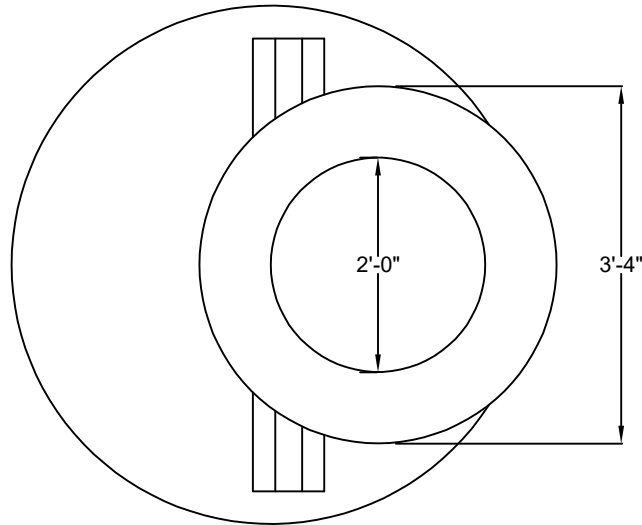
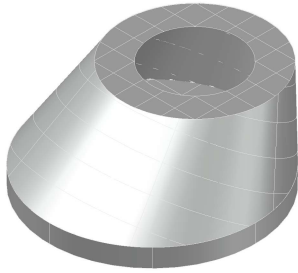




Precast Concrete 48" Dia. x 24" Tall Cone



Weight: 2,000 lbs

Standard Features

- 4500 PSI Concrete @ 28 Days
- Conforms to ASTM C-478
- Design for H20 Traffic Loading
- Manufactured in NPCA Certified Plant

Standard Options

- Gasket Joint
- Cast Iron Frame and Cover



T: 269-342-0539
 F: 269-344-4810
qualityprecastinc.com

7800 ADOBE RD.
 KALAMAZOO, MI