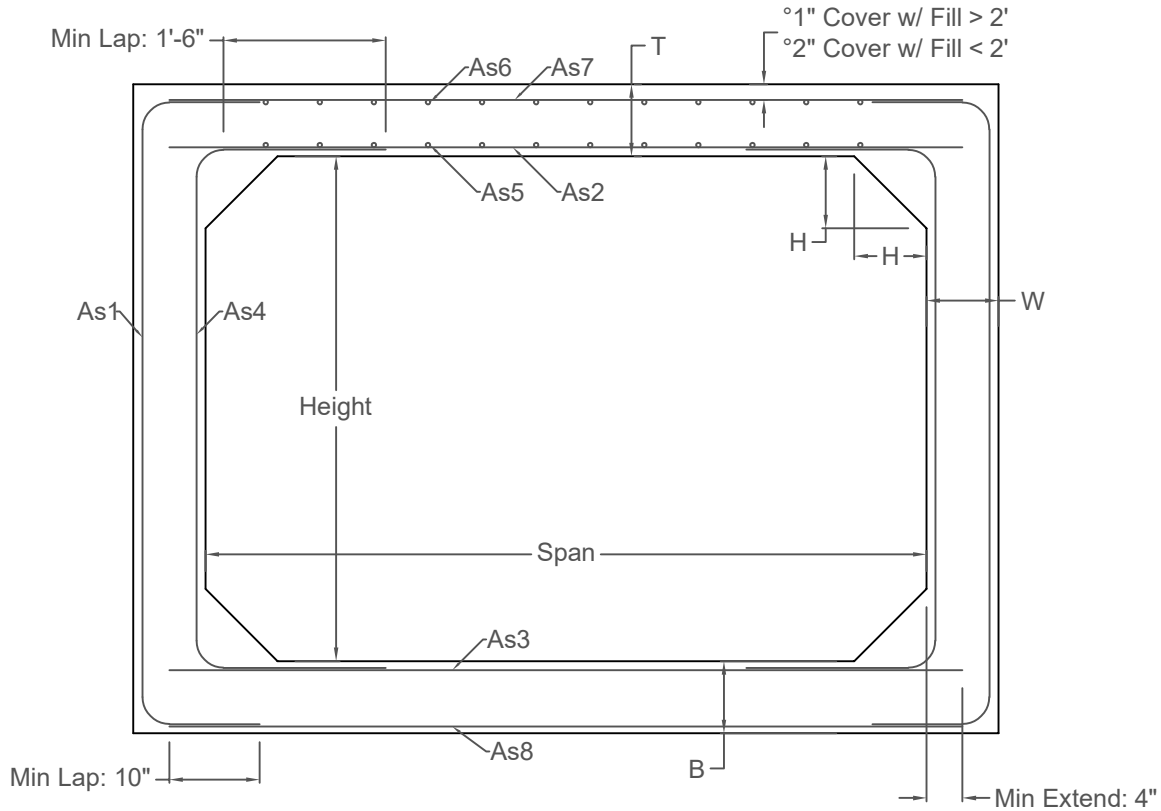




Precast Concrete Open Footing Box Culvert Dimension Table



Standard Dimensions per ASTM C-1577. Actual Dimensions May Vary According to Specific Project Design

		Height										W	T	B	H	
		3'	4'	5'	6'	7'	8'	9'	10'	11'	12'					
Span	4'	1800	2000										8"	8"	8"	8"
	5'	2000	2200	2400									8"	8"	8"	8"
	6'	2200	2400	2600	2800								8"	8"	8"	8"
	7'	2400	2600	2800	3000	3200							8"	8"	8"	8"
	8'	2600	2800	3000	3200	3400	3600						8"	8"	8"	8"
	9'	3206	3431	3656	3881	4106	4331	4556					9"	9"	9"	9"
	10'	3875	4125	4375	4625	4875	5125	5375	5625				10"	10"	10"	10"
	11'	4606	4881	5156	5431	5706	5981	6256	6531	6806			11"	11"	11"	11"
12'	5400	5700	6000	6300	6600	6900	7200	7500	7800	8100		12"	12"	12"	12"	



T: 269-342-0539
 F: 269-344-4810
 qualityprecastinc.com

7800 ADOBE RD.
 KALAMAZOO, MI