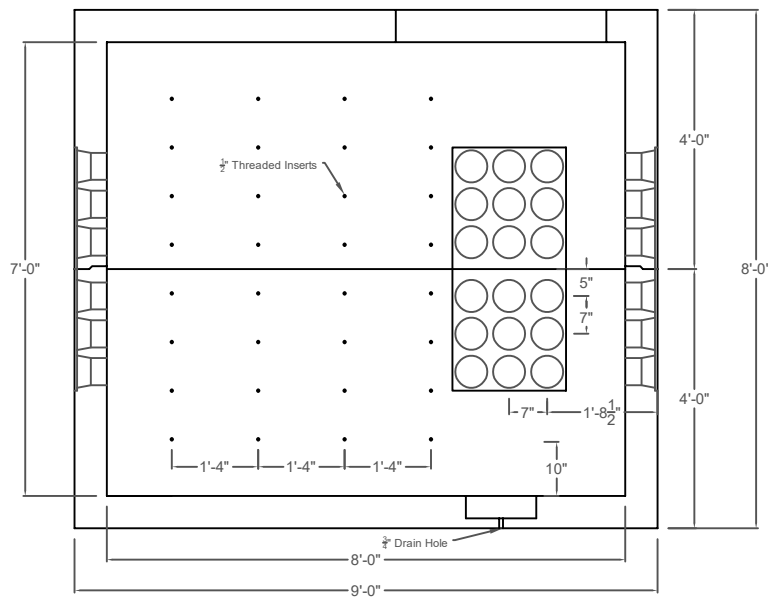
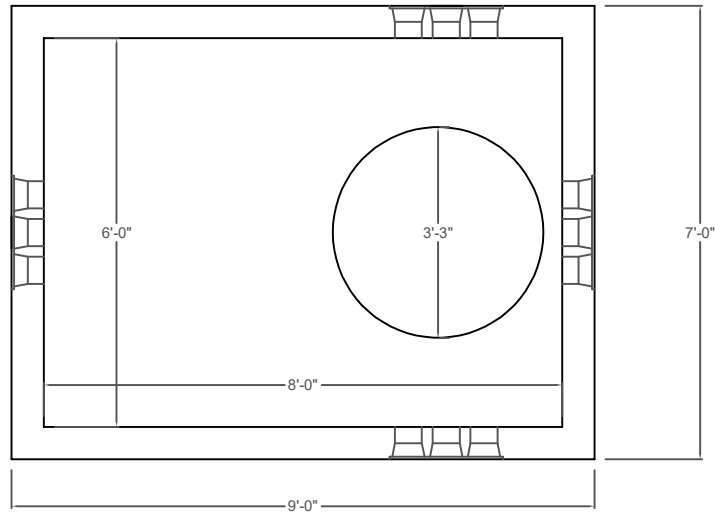
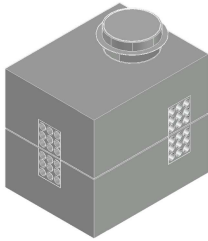




96" x 72" x 84" E-25 Electrical Handhole



Standard Features

- 4500 PSI Concrete @ 28 Days
- Conforms to ASTM C-478
- Design for H-20 Traffic Loading
- Manufactured in NPCA Certified Plant

Standard Options

- Gasket Joint



T: 269-342-0539
 F: 269-344-4810
 qualityprecastinc.com

7800 ADOBE RD.
 KALAMAZOO, MI