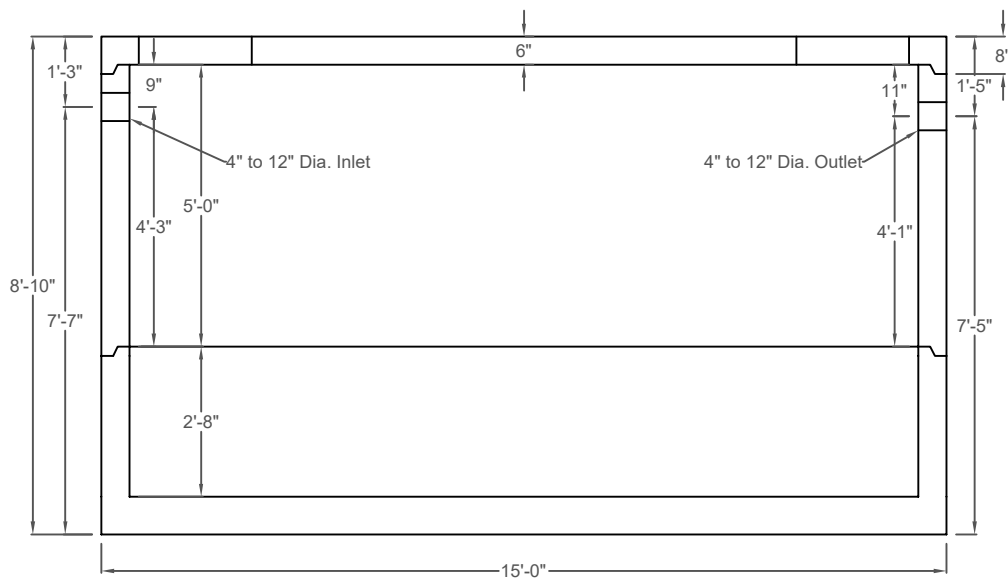
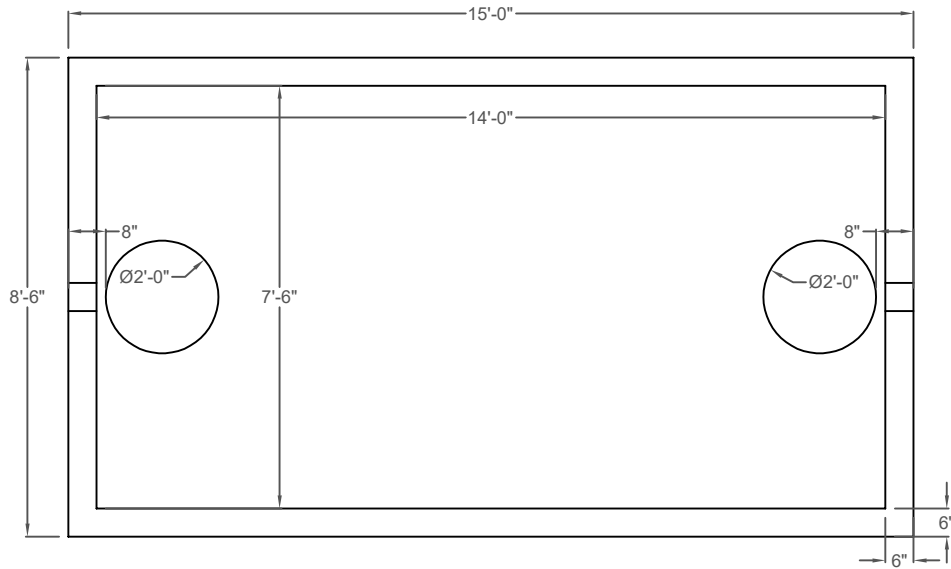




Precast Concrete 5000 Gal. Septic Tank H-20 Rated



Standard Features

- 4500 PSI Concrete @ 28 Days
- Design for H2O Traffic Loading
- Manufactured in NPCA Certified Plant

Standard Options

- Cast Iron Frame and Cover
- 2", 3", 6", 12", Precast Riser Rings
- 4" to 12" Booted Pipe Connection



T: 269-342-0539
F: 269-344-4810
qualityprecastinc.com

7800 ADOBE RD.
KALAMAZOO, MI