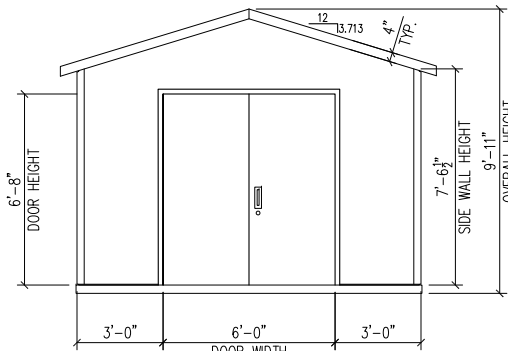
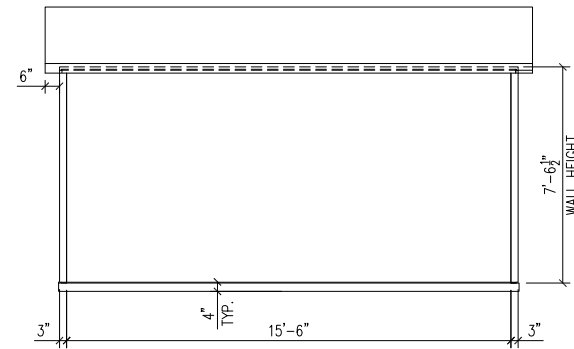


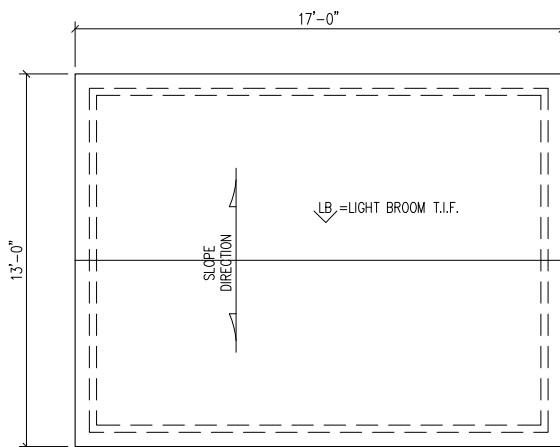
FLOOR PLAN



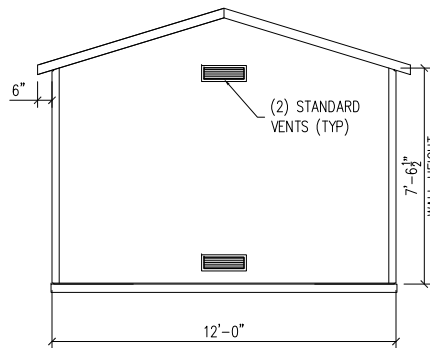
FRONT ELEVATION



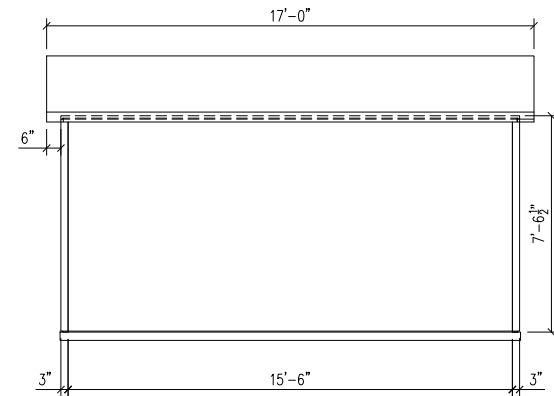
RIGHT ELEVATION



ROOF PLAN



BACK ELEVATION



LEFT ELEVATION

NOTE: FINISH OPTIONAL, VARIOUS FINISHES ARE AVAILABLE

- EASI-BRICK
- EXPOSED AGGREGATE
- BROOM
- OTHER: _____

- GENERAL NOTES:
1. ALL REQUIRED OPENINGS FOR ELECTRIC, MECHANICAL, LOUVERS, ETC. MUST BE SIZED AND LOCATED BY BUYER ON THIS DRAWING (OPENING SIZES AND LOCATIONS MAY HAVE TO BE ALTERED IF THEY INTERFERE WITH CONNECTIONS OR REINFORCING)
 2. ALL VIEWS ARE FROM EXTERIOR
 3. A SIGNED COPY MUST BE RETURNED BEFORE BUILDING CAN BE RELEASED FOR PRODUCTION

MESSAGE CENTER	
BUILDING FINISH	TO BE SELECTED
BUILDING STAIN	-
DOOR COLOR	-
BUILDING WEIGHT	-
CUSTOMER APPROVAL	
APPROVED BY:	DATE:

EASI-EASI-SET® WORLDWIDE
SET
 5119 Callett Rd. • Midland, VA 22728 • info@EasiSet.com
 WWW.EasiSet.com • 800-547-4045 • Fax 540-439-2541

DATE	DESCRIPTION	INT.	REV.

PROJECT: 12X16X7'-6" EASI-SET CABLED BUILDING
 ADDRESS _____
 CITY STATE _____
 CONTRACTOR: CONTRACTOR _____

BUILDING LAYOUT

JOB # _____

DRAWN BY _____
 WCB

CHECK BY _____
 ESM

ISSUE DATE
 03.28.14

SHEET LAYOUT