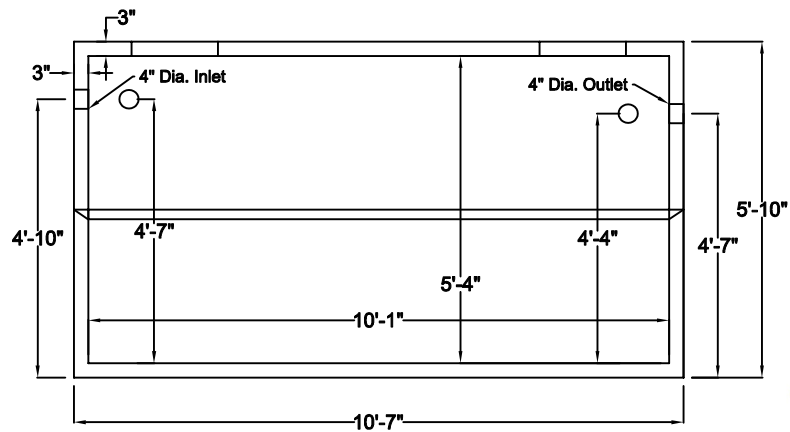
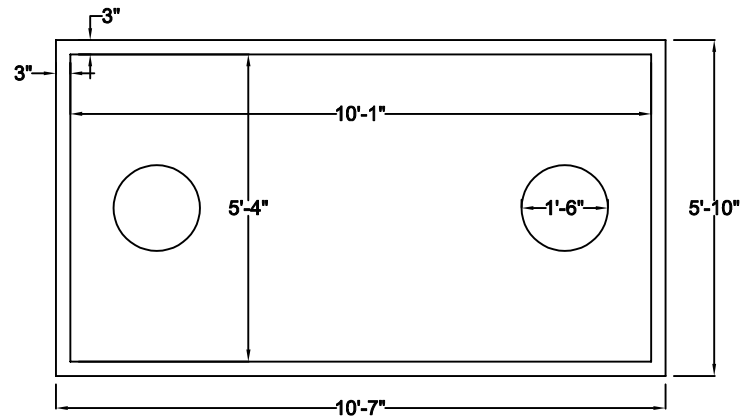
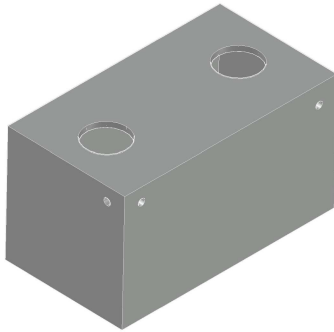




Precast Concrete 1500 gal. Septic Tank



Weight: 10,600 lbs
Heaviest Lift: 5,300 lbs



Standard Features

- 4500 PSI Concrete @ 28 Days
- Helix Steel Fibers
- Manufactured in NPCA Certified Plant

Standard Options

- Cast Iron Frame and Cover
- 1",2",3" Precast Adjustment Rings
- Pipe Inlet/Outlet Holes Where Specified
- 4" Dia. Booted Pipe Connection



T: 269-342-0539
F: 269-344-4810
qualityprecastinc.com

7800 ADOBE RD.
KALAMAZOO, MI